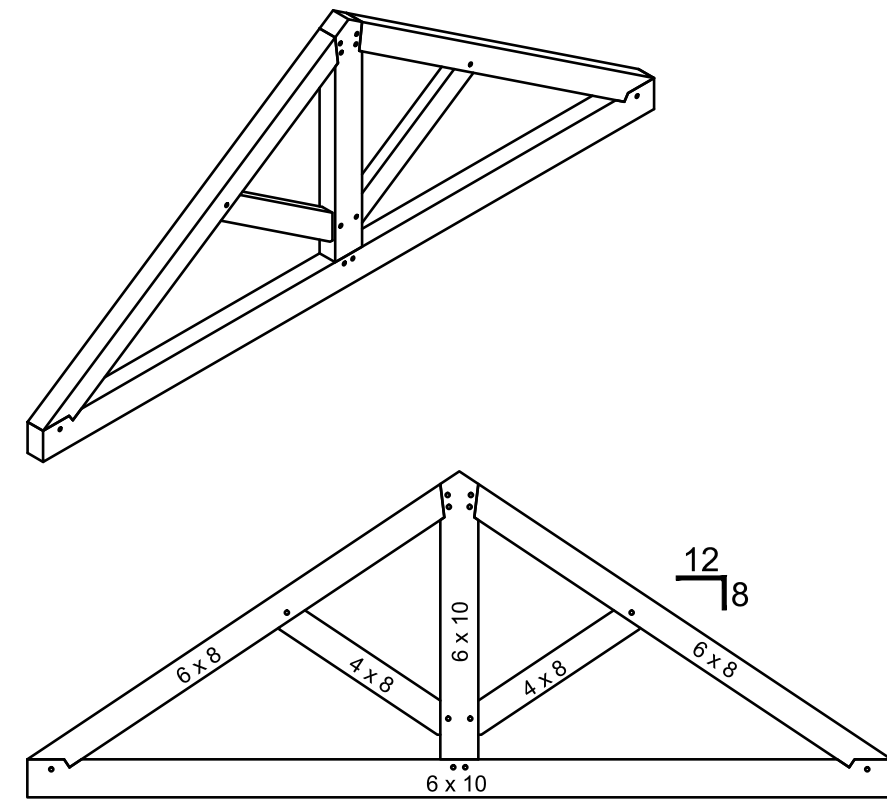
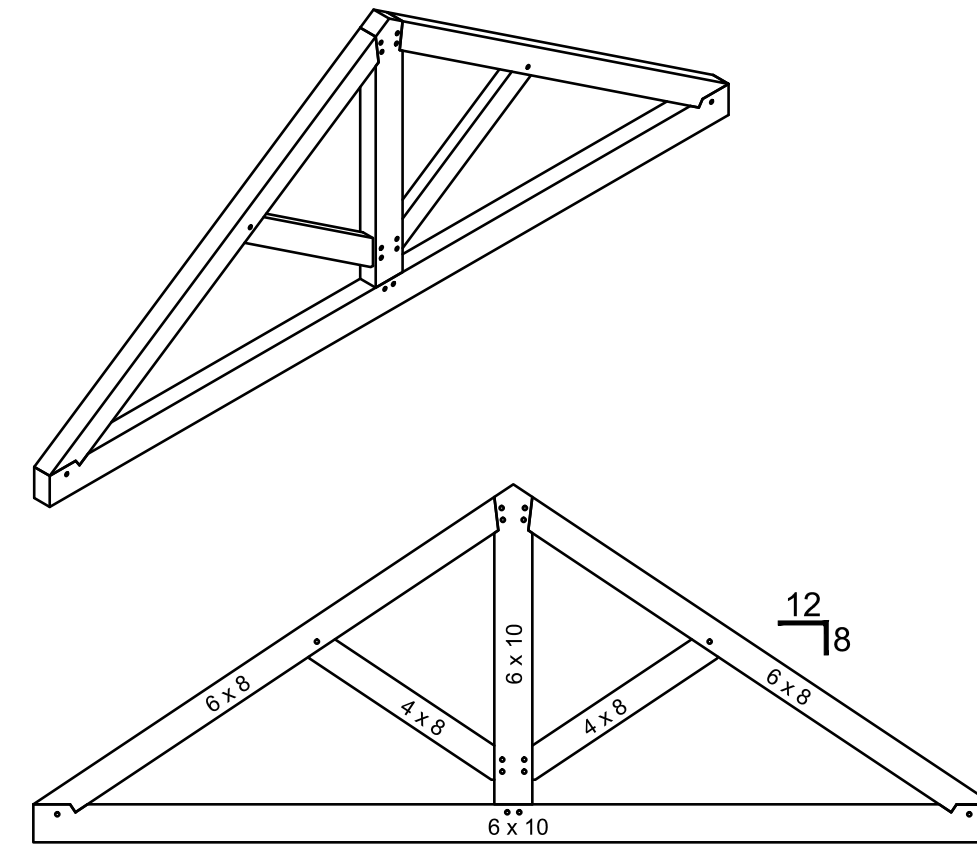


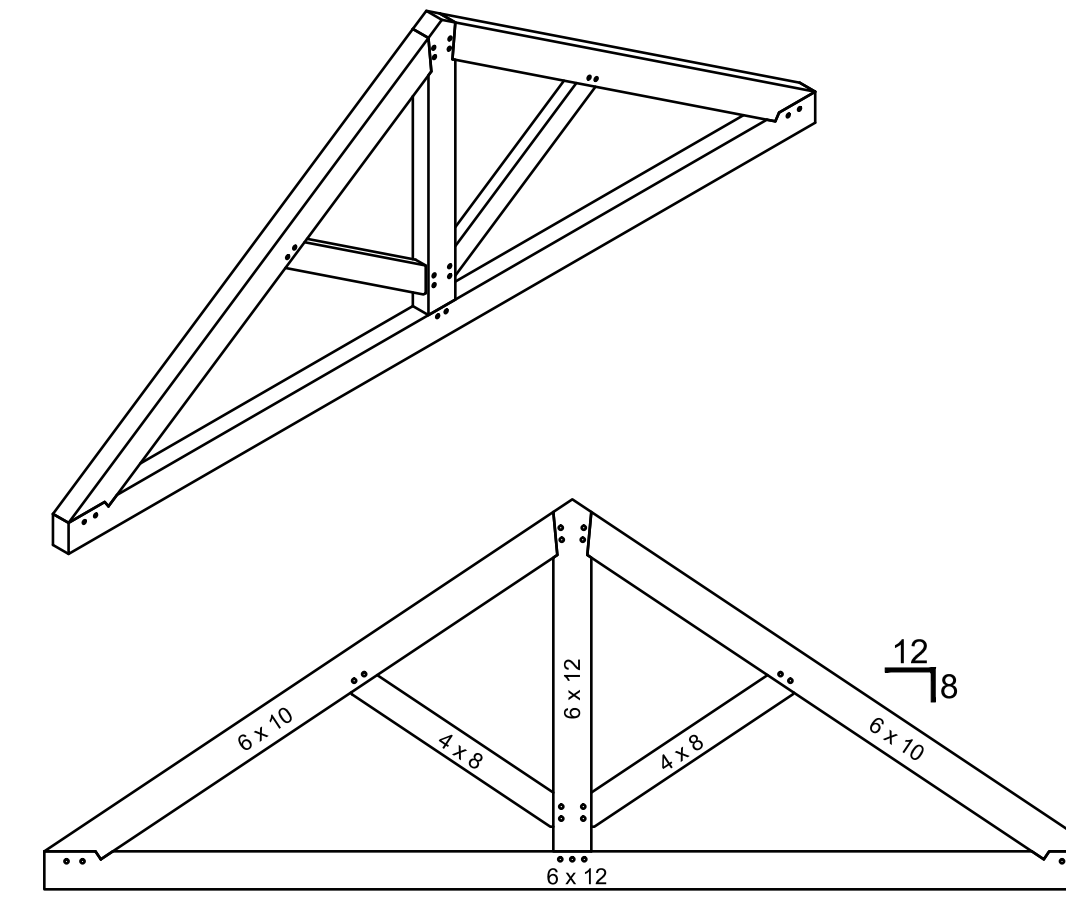
16' SPAN



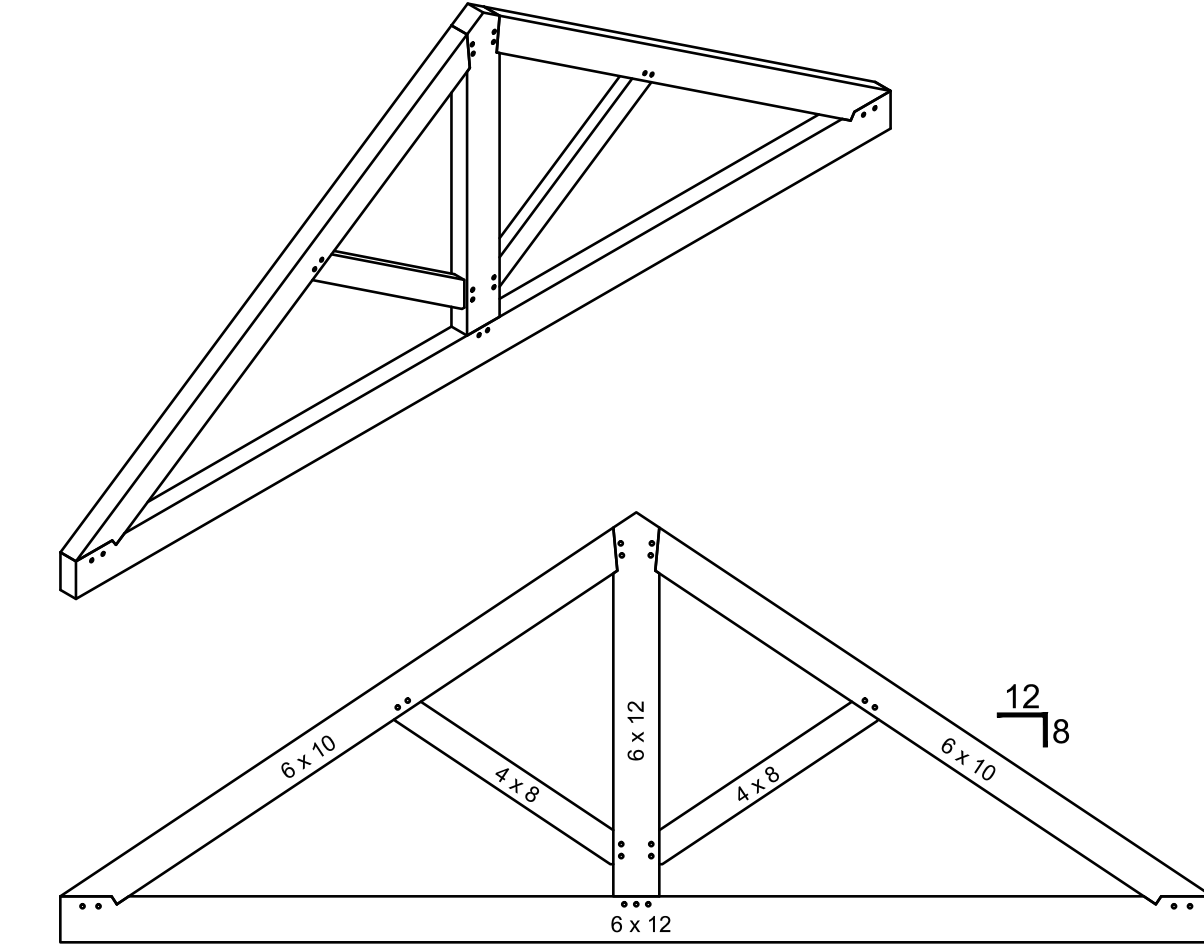
18' SPAN



20' SPAN



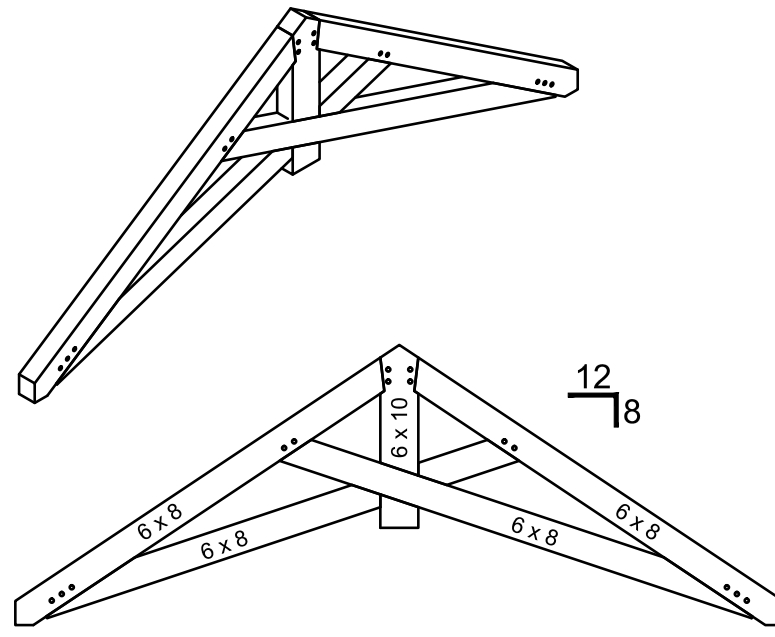
22' SPAN



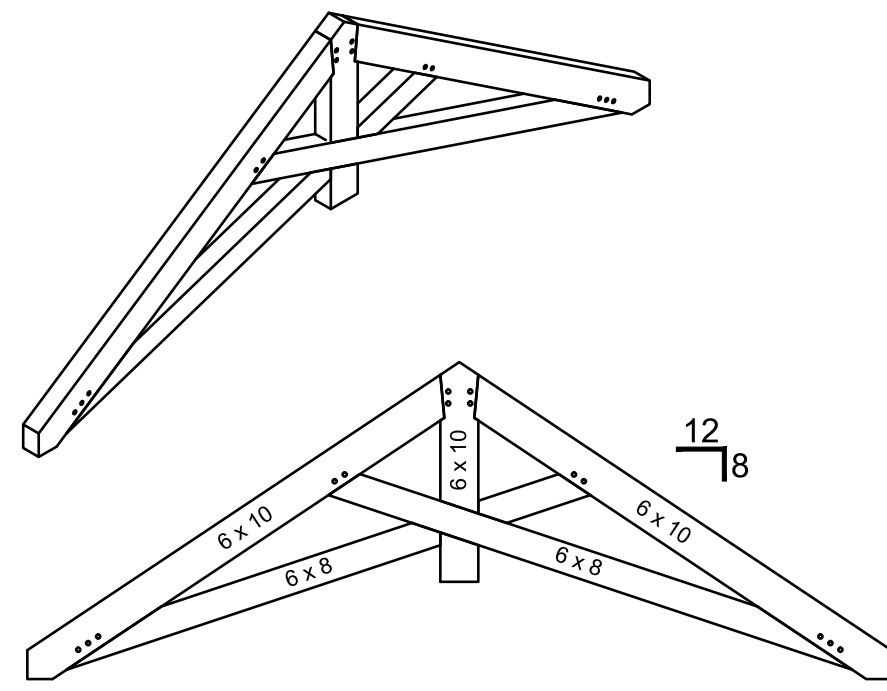
24' SPAN

KING POST TRUSS

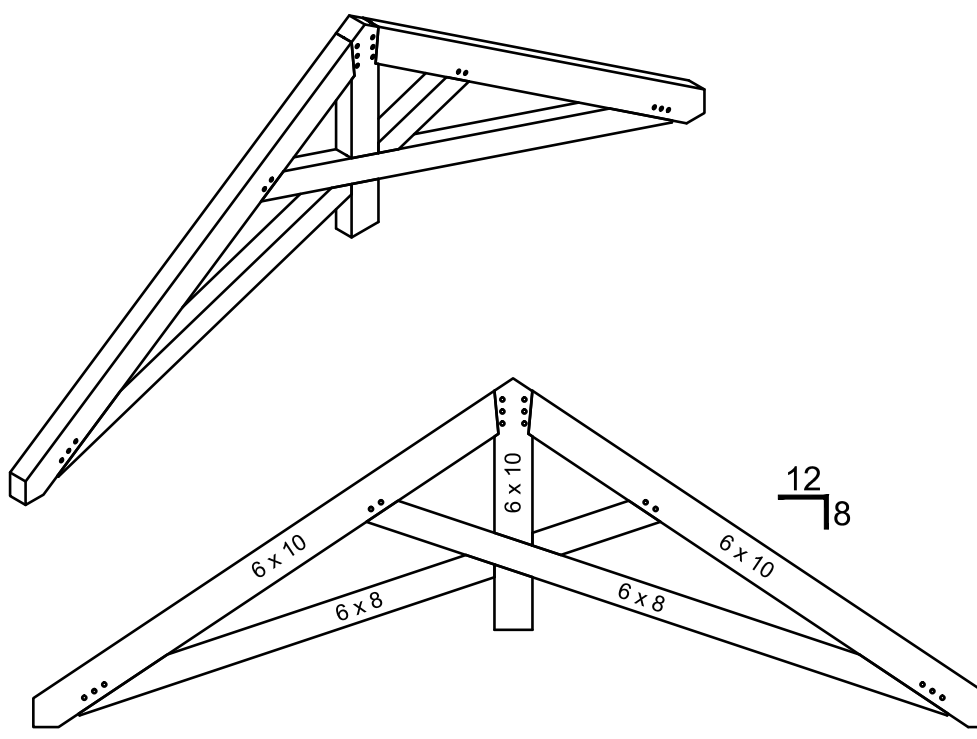
SCALE: 1/4" = 1'0"



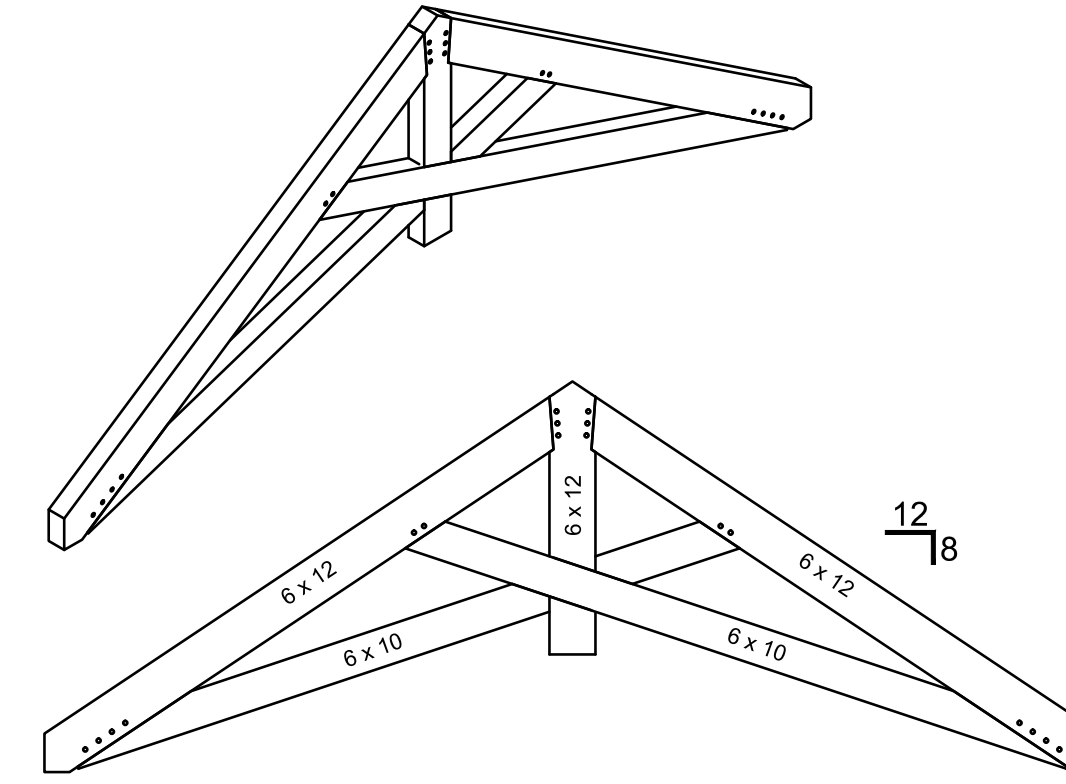
16' SPAN



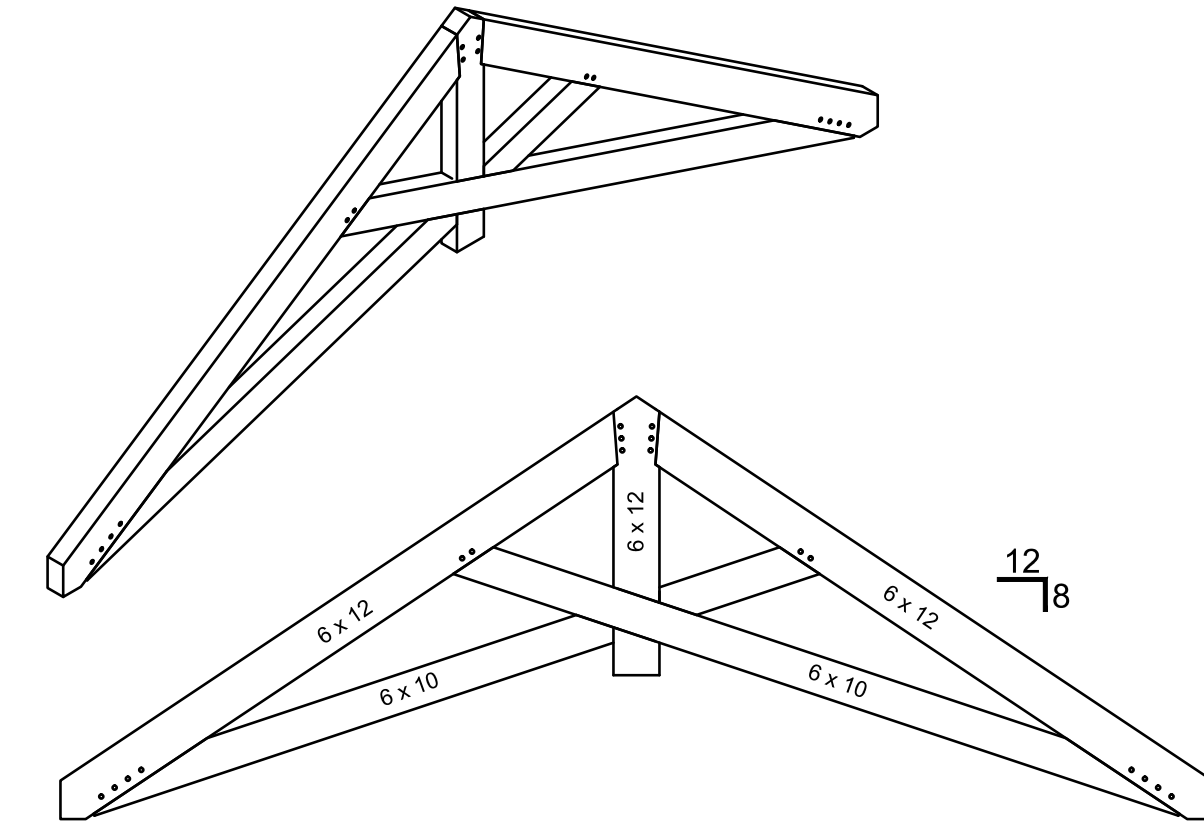
18' SPAN



20' SPAN



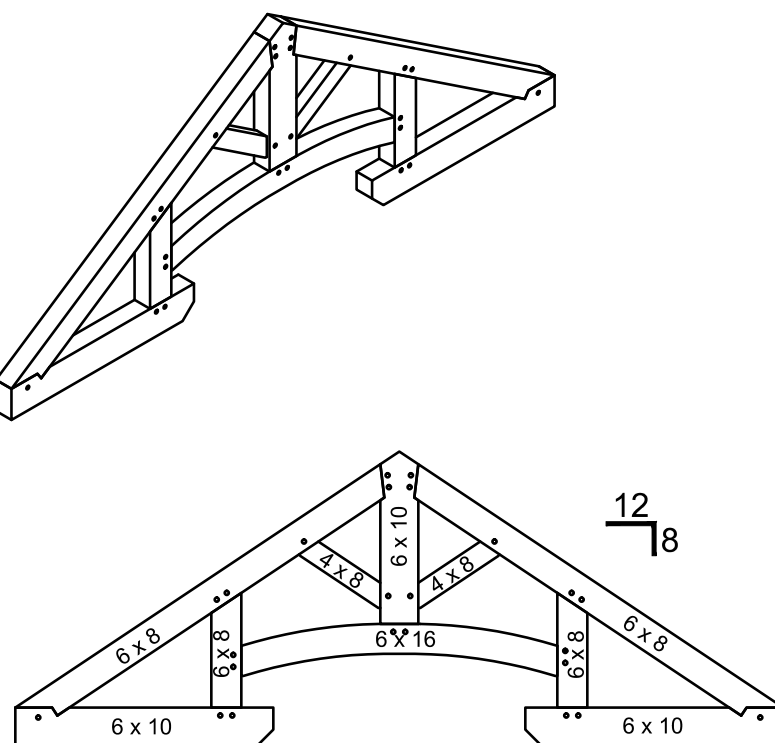
22' SPAN



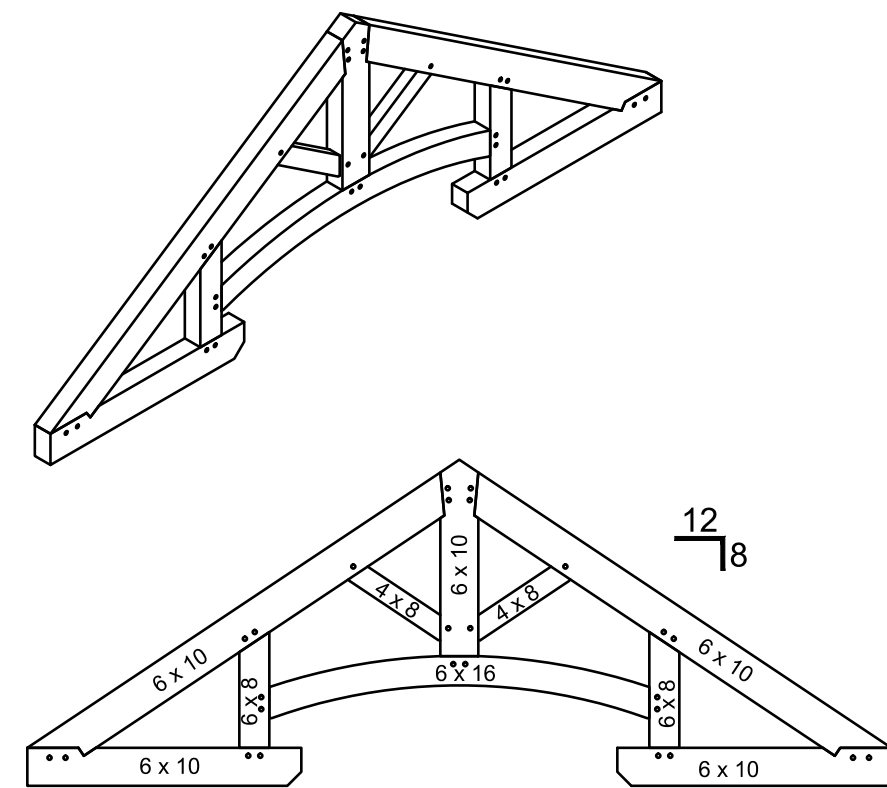
24' SPAN

SCISSOR TRUSS

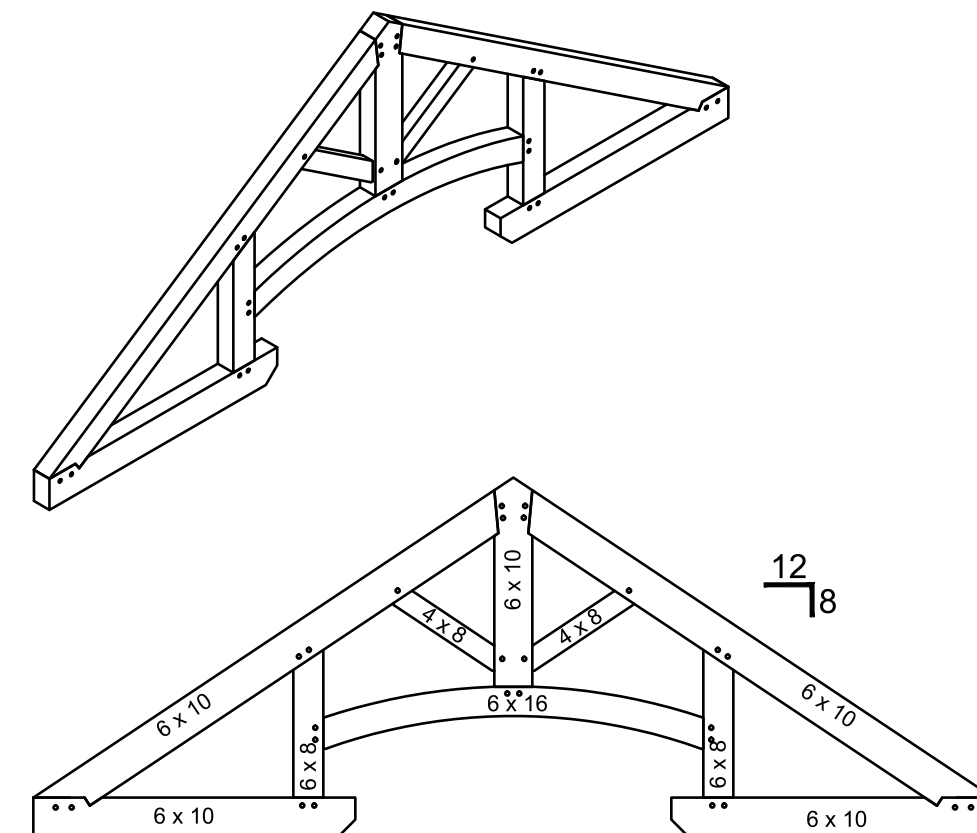
SCALE: 1/4" = 1'0"



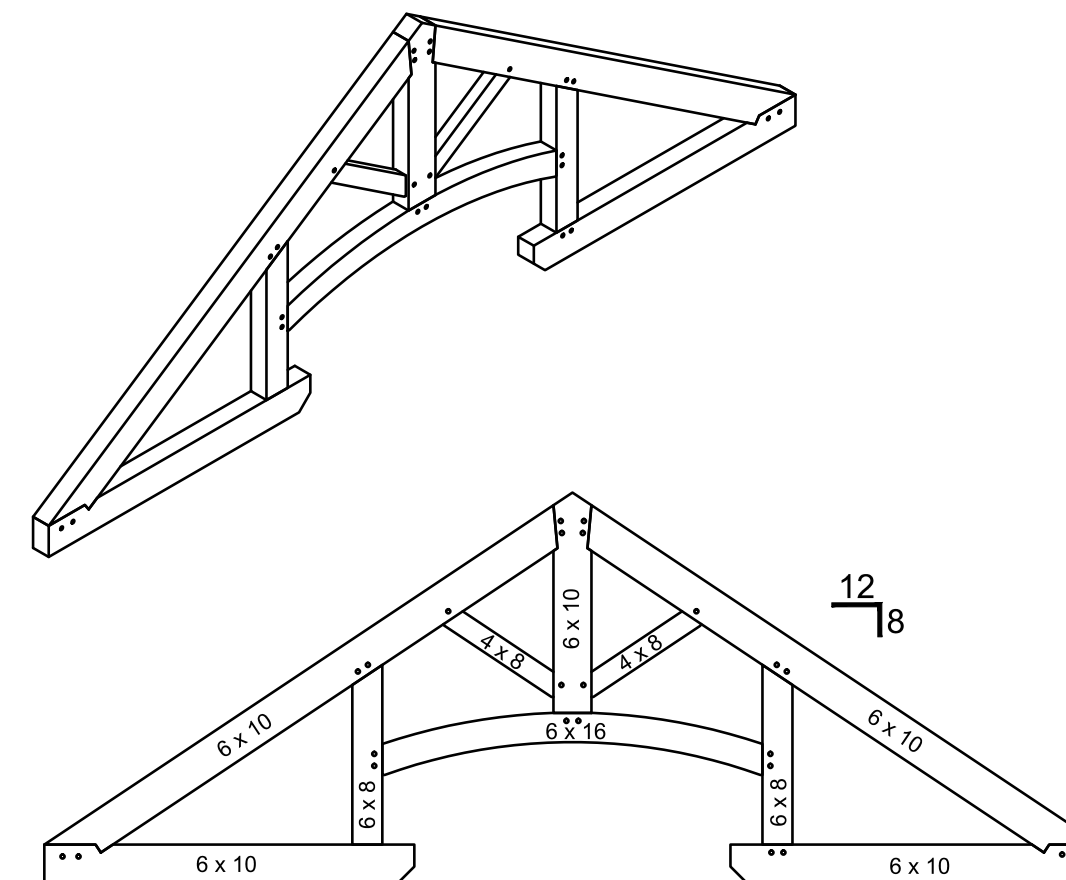
16' SPAN



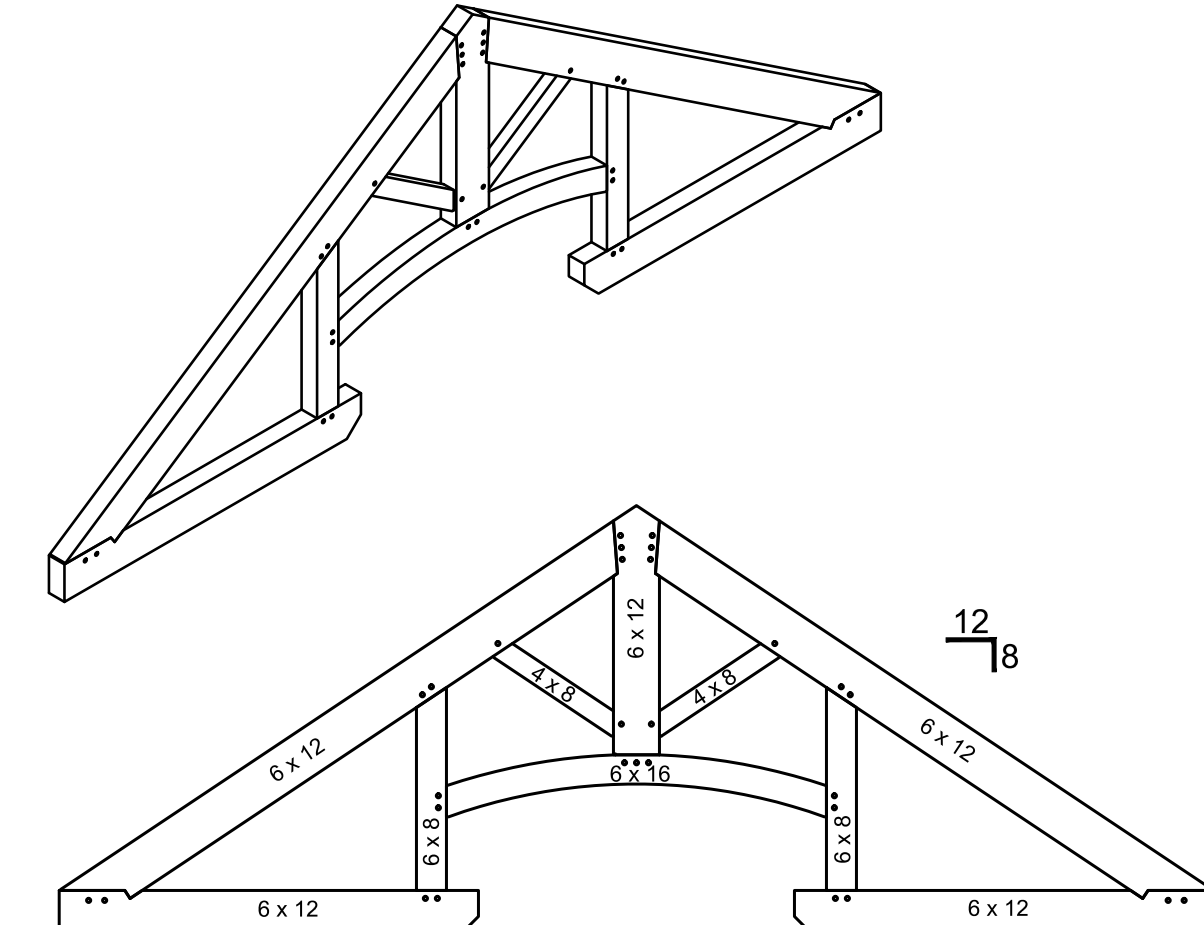
18' SPAN



20' SPAN



22' SPAN



24' SPAN

HAMMER BEAM TRUSS

SCALE: 1/4" = 1'0"



DREAMING CREEK
authentic architectural timbering
2487 Judes Ferry Rd
Powhatan, VA 23139
tel. 804.598.4328
fax. 804.598.3748
www.dreamingcreek.com

DREAMING CREEK TIMBER FRAME TRUSSES
6 & 8 TO 12 PITCH TRUSSES

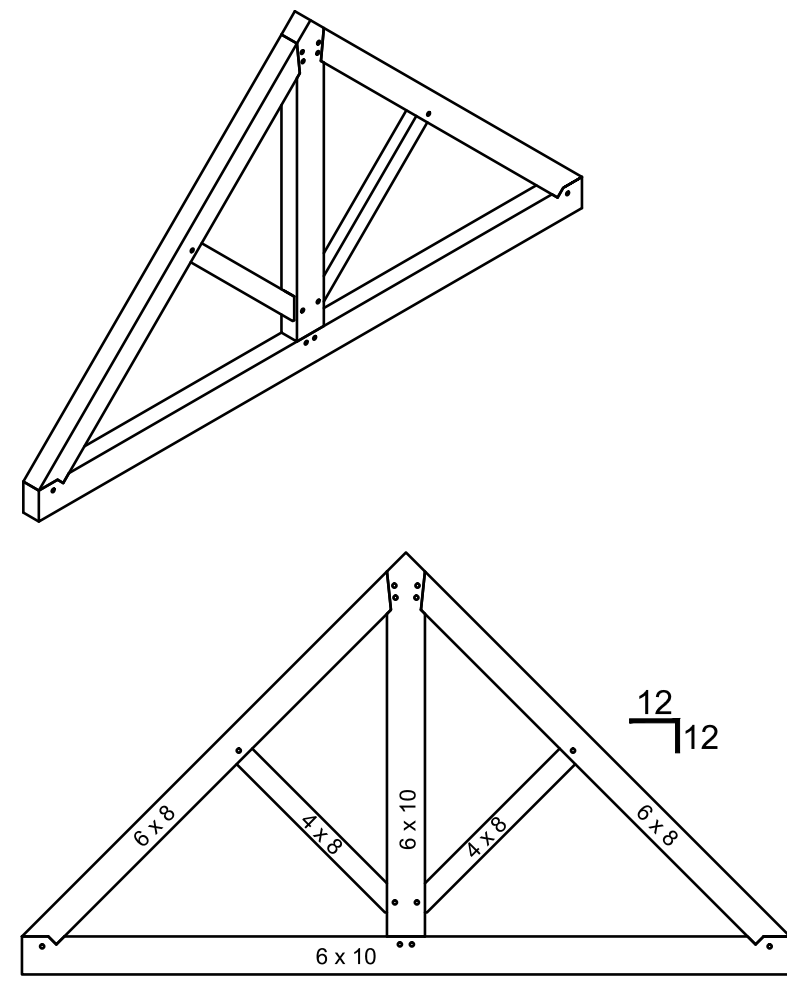
ENGINEERING STAMP:

PROGRAM TRUSSES

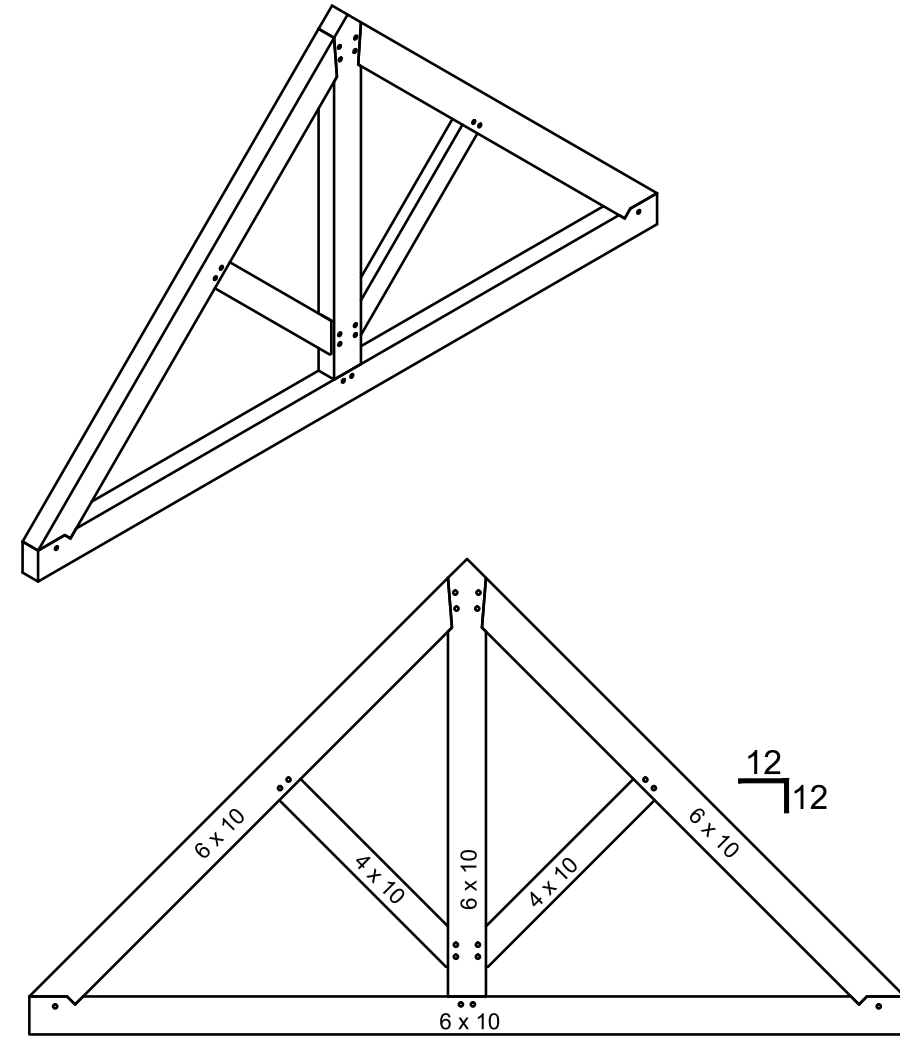
DATE: 03/31/2010
DRAWN BY: KJK
CHECKED BY: AJ5

SCALE: 1/4" = 1'0"

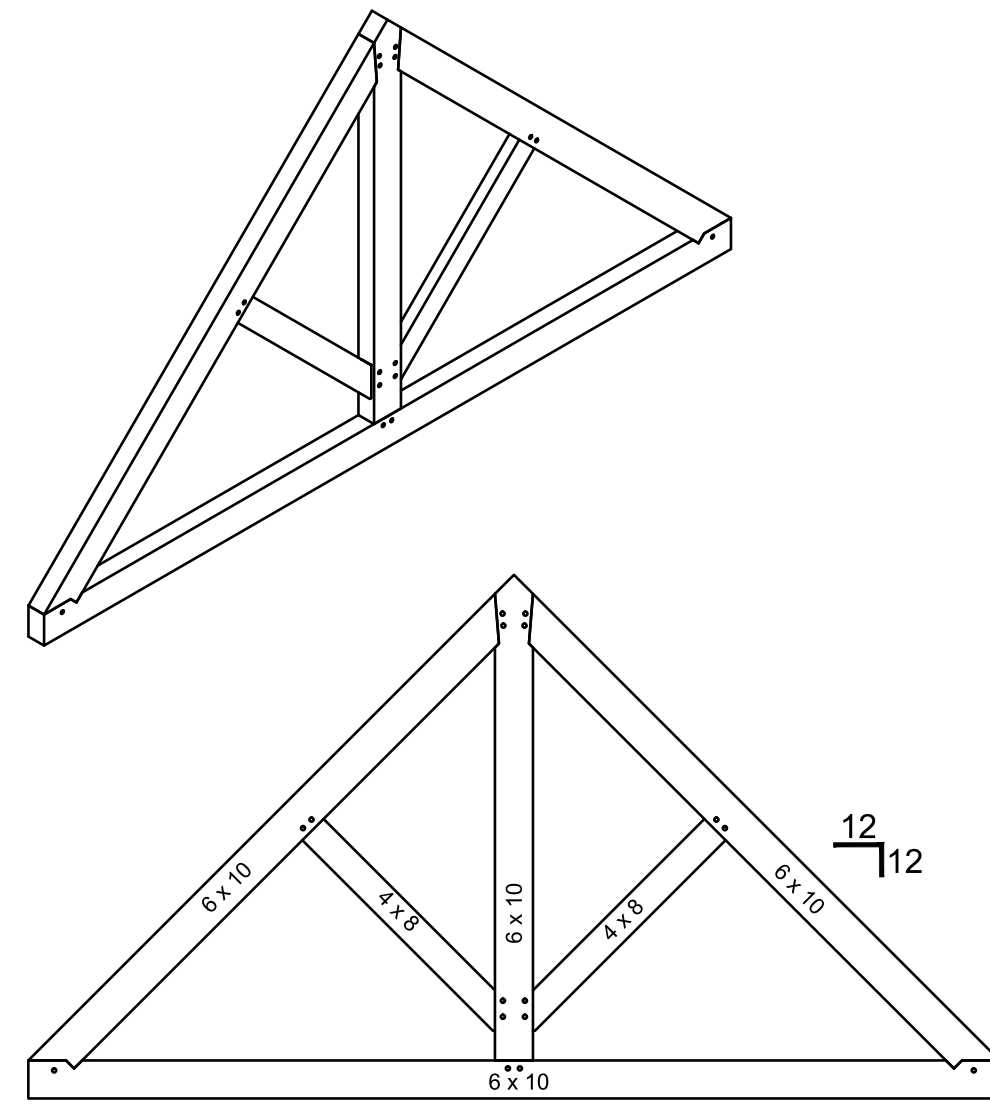
SHEET:
PT-1



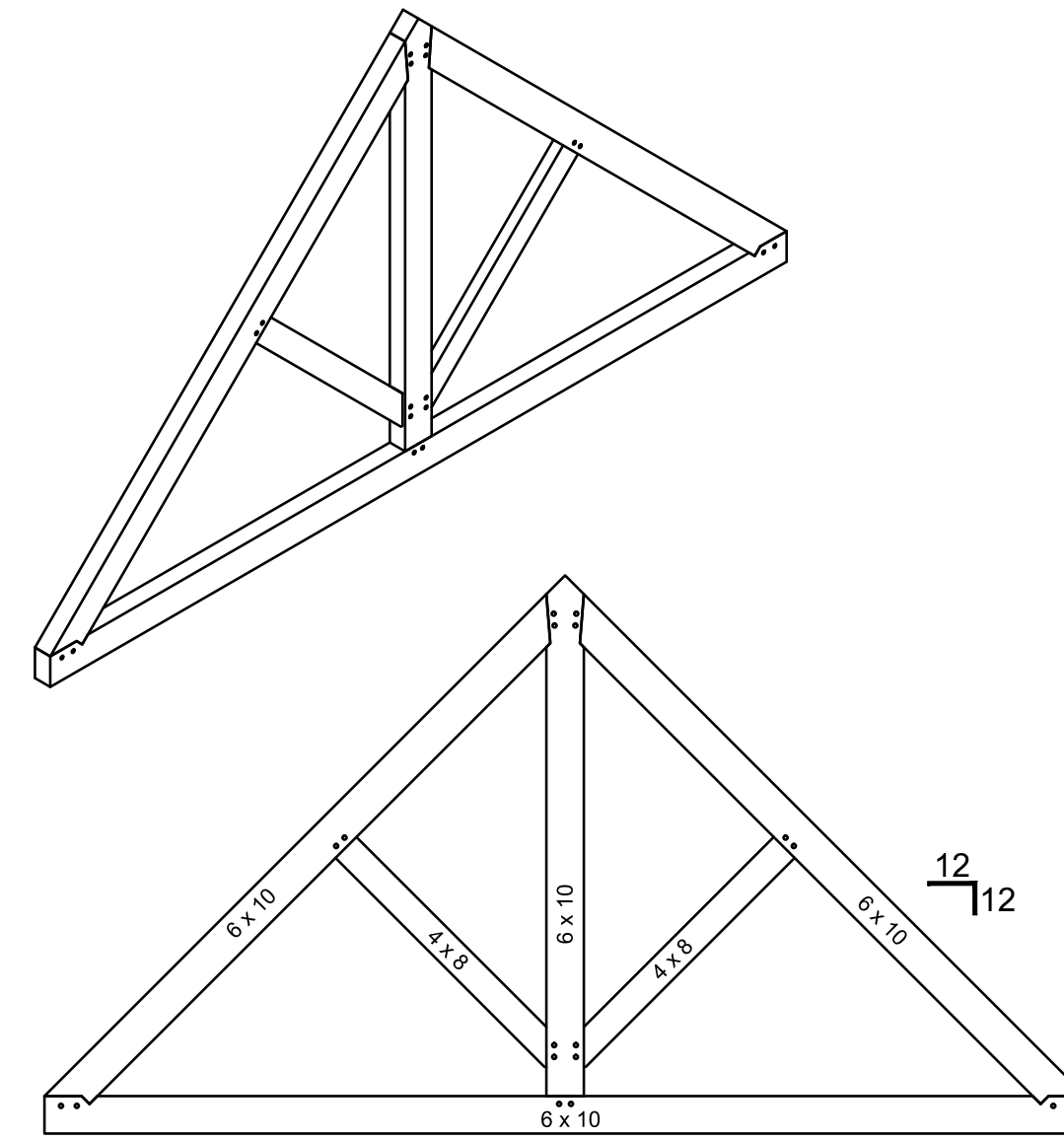
16' SPAN



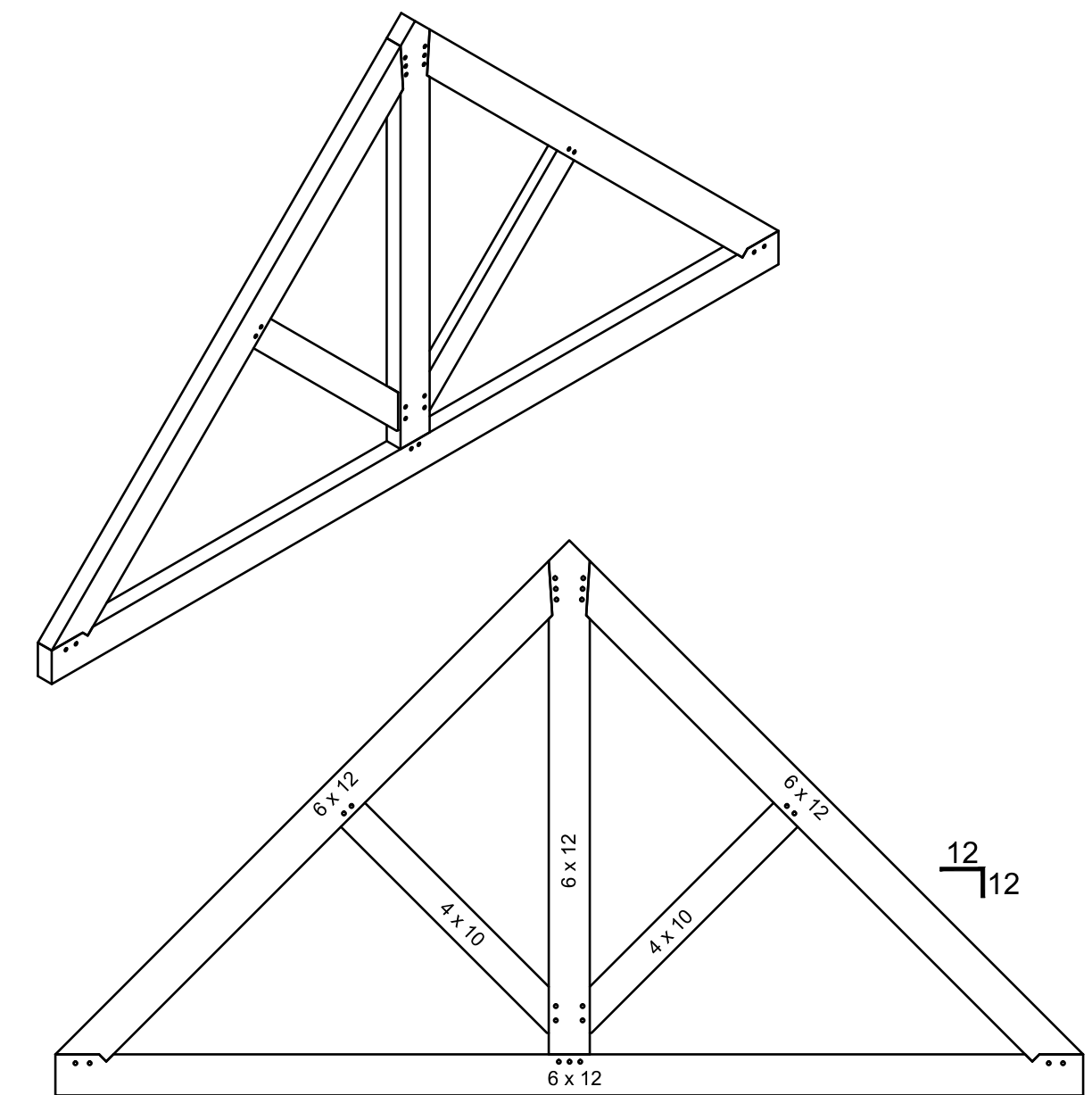
18' SPAN



20' SPAN



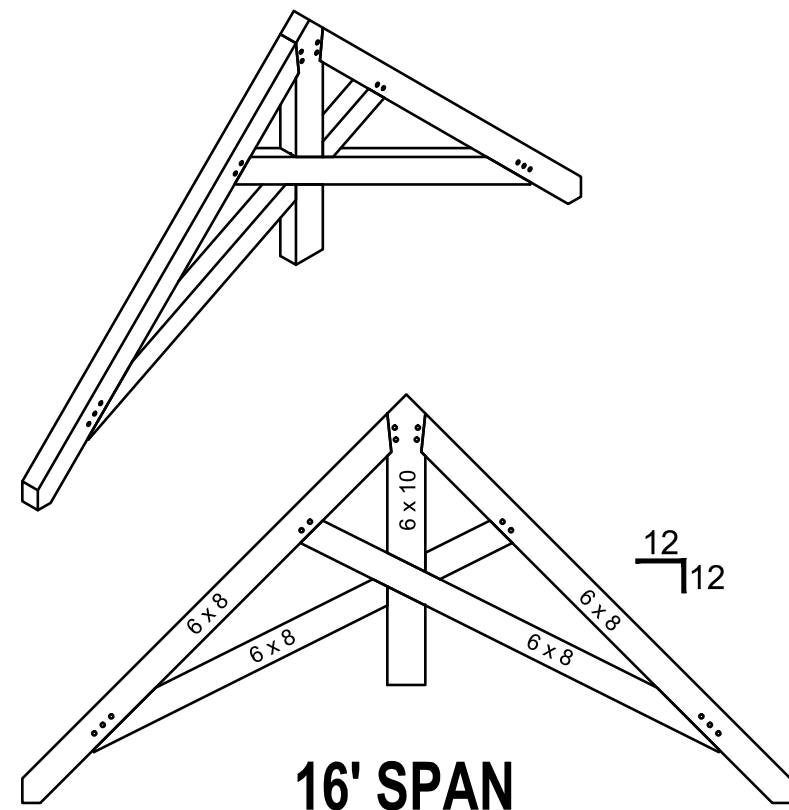
22' SPAN



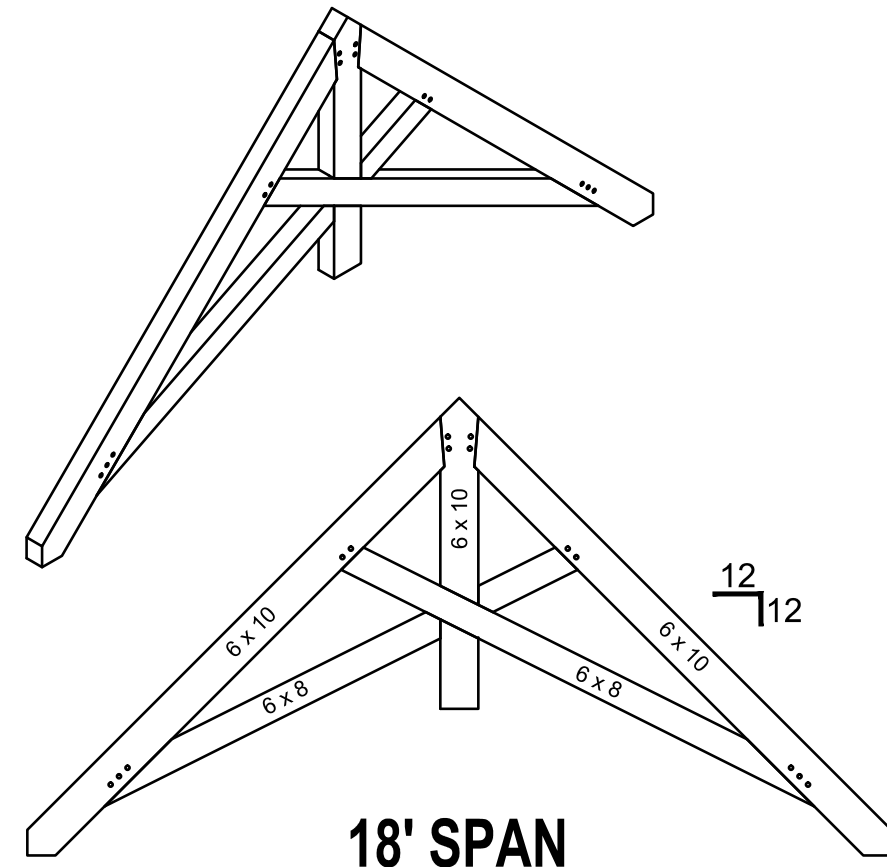
24' SPAN

KING POST TRUSS

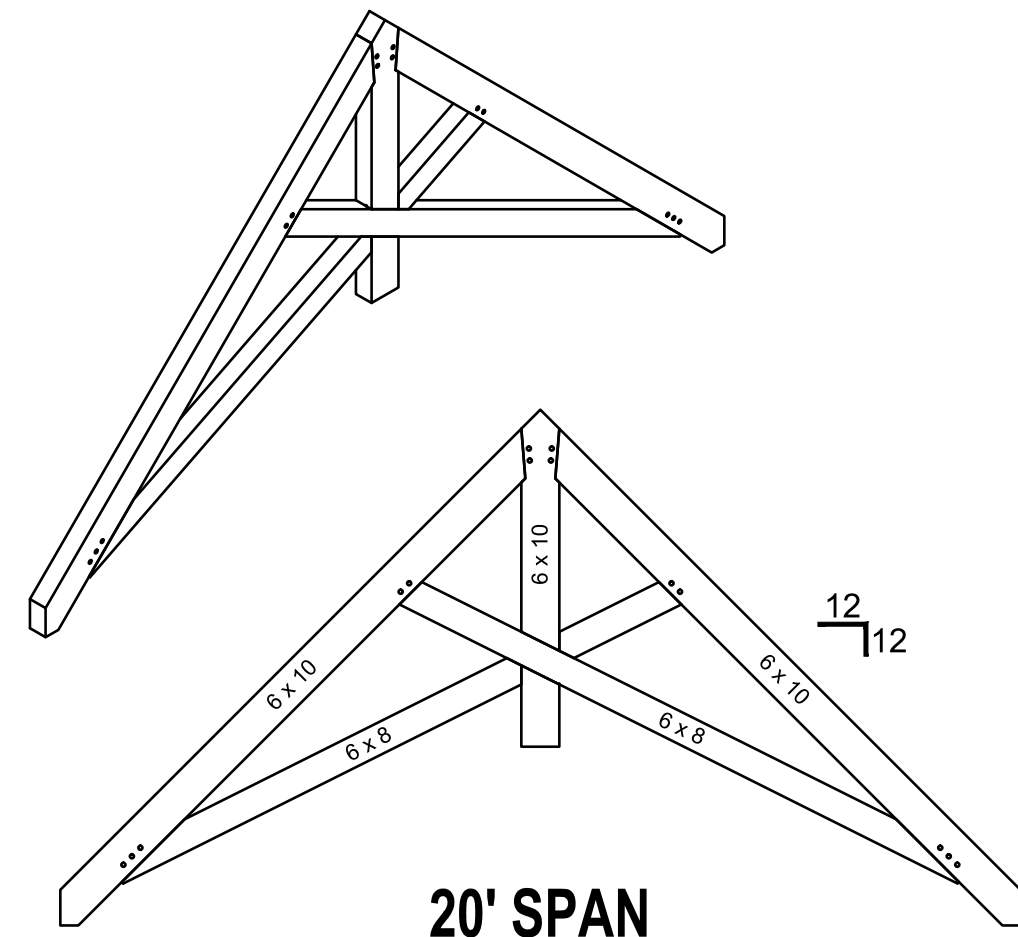
SCALE: 1/4" = 1'0"



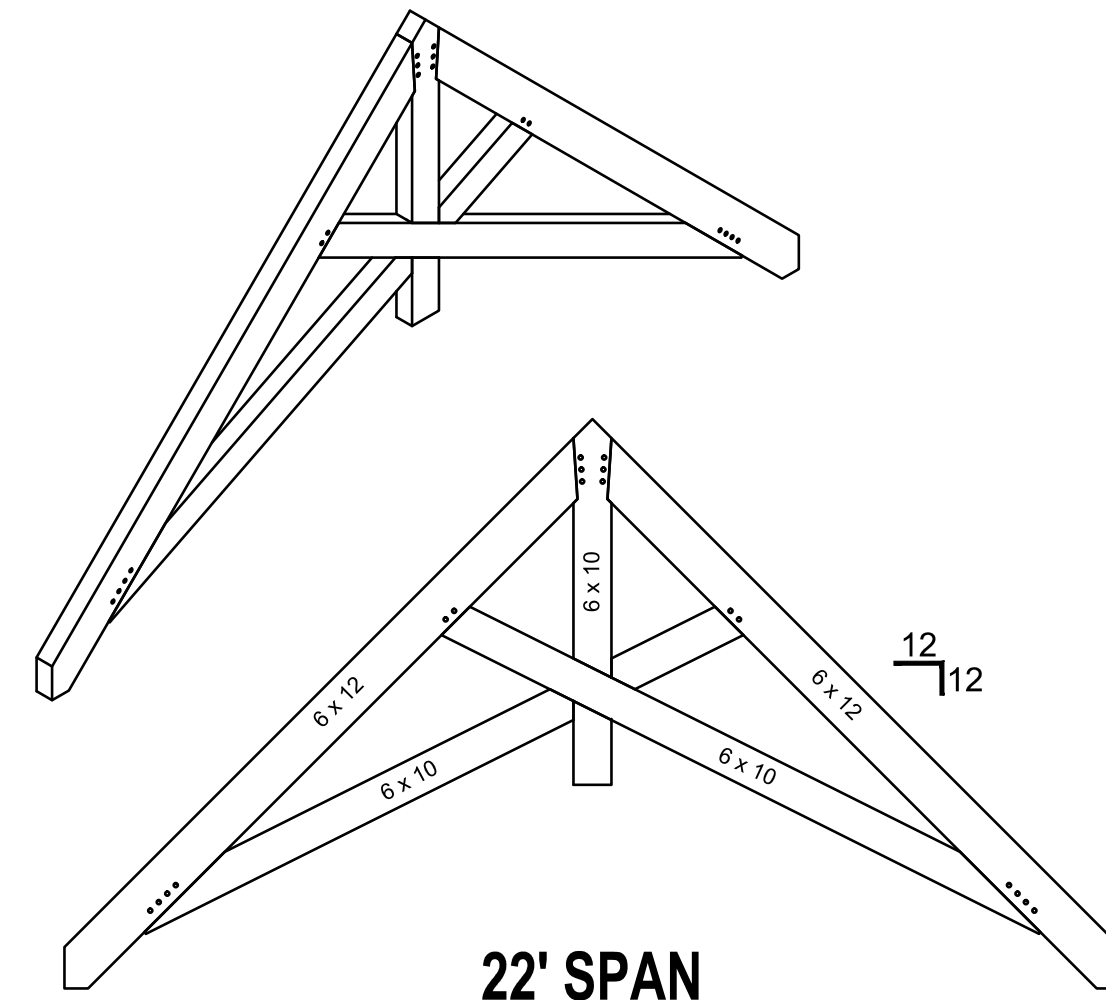
16' SPAN



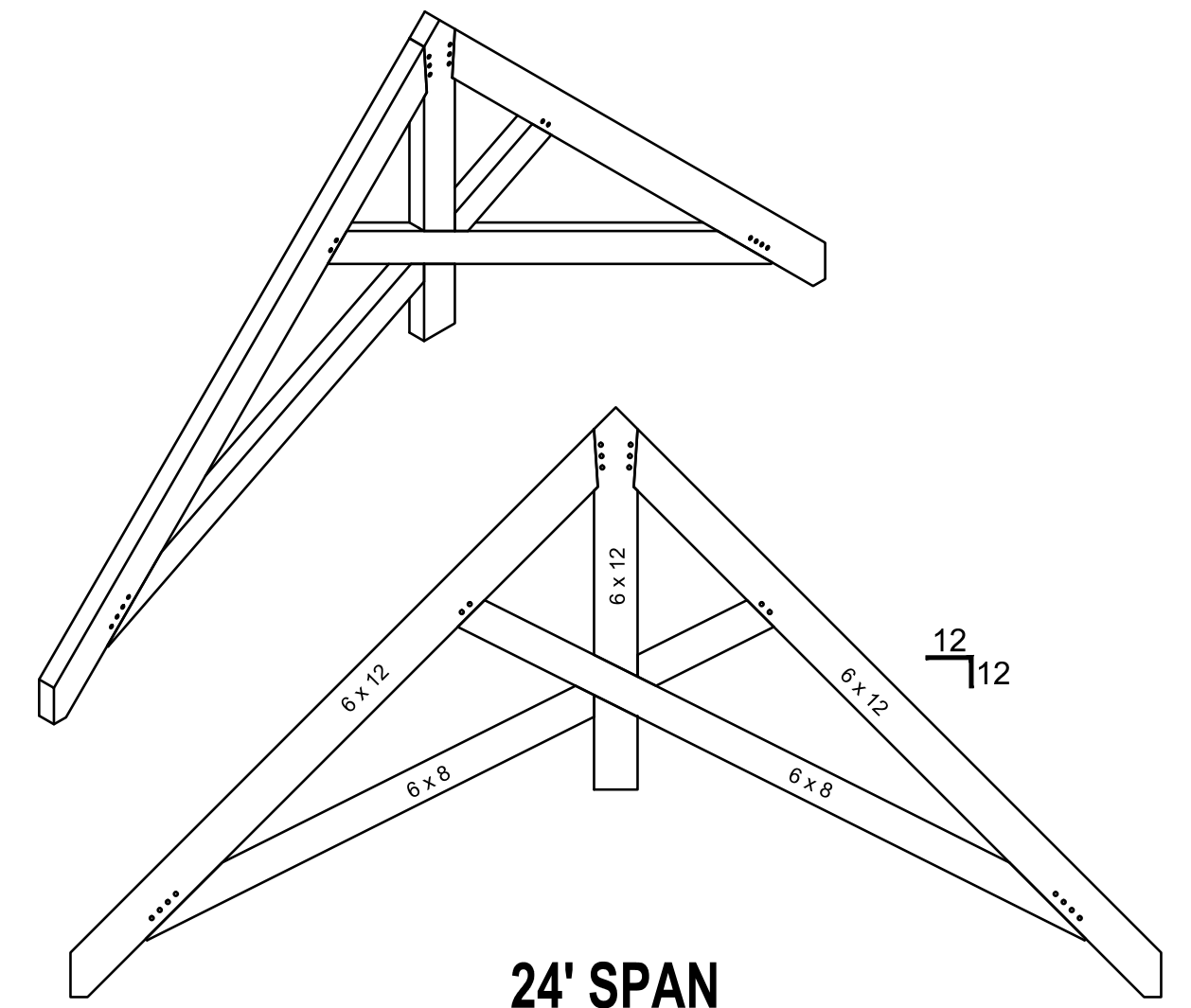
18' SPAN



20' SPAN



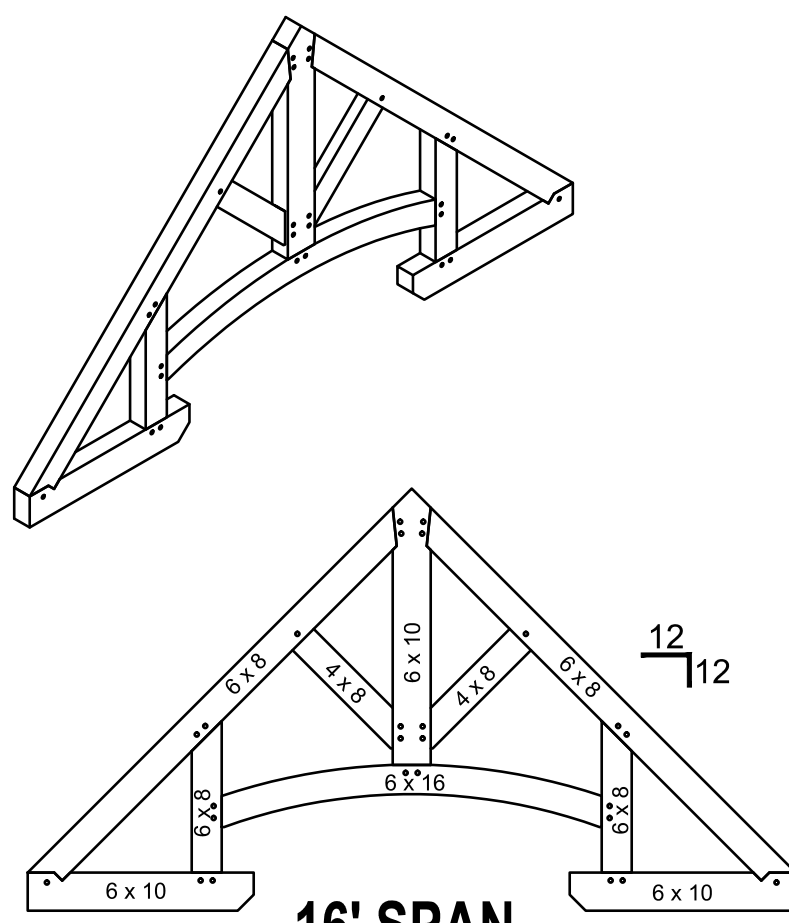
22' SPAN



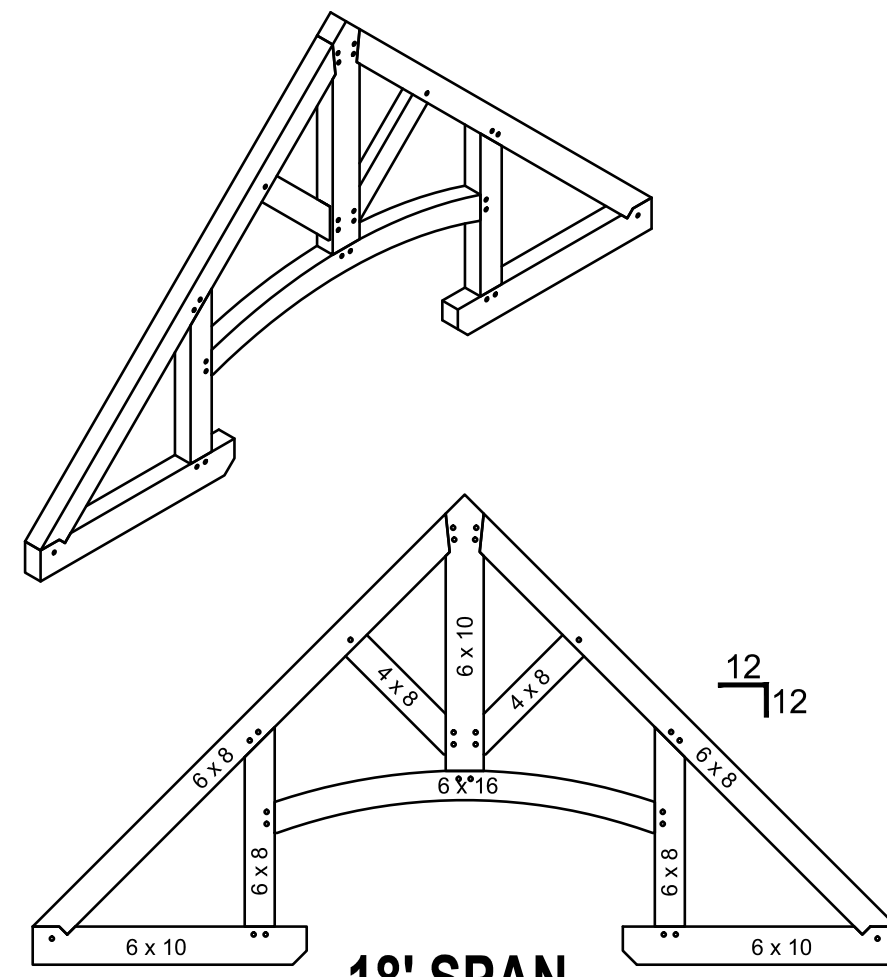
24' SPAN

SCISSOR TRUSS

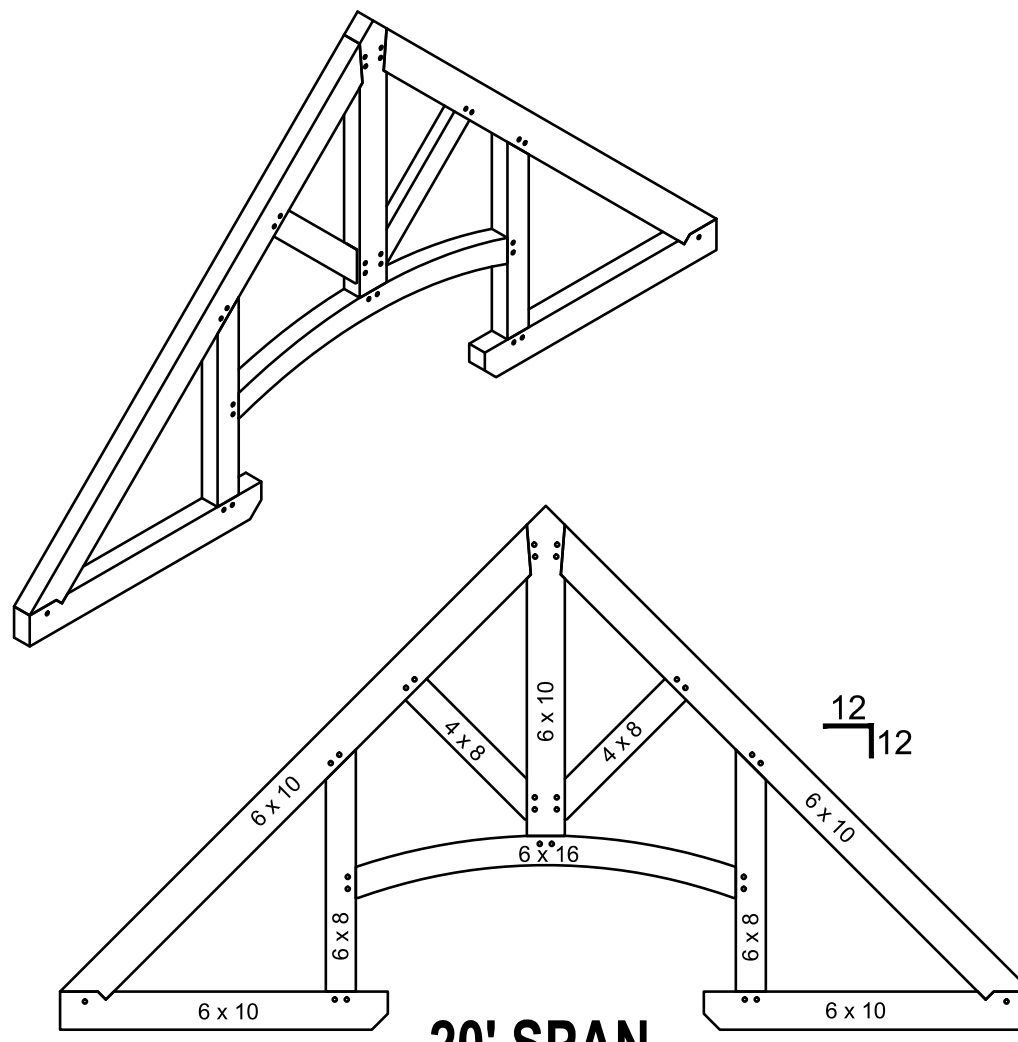
SCALE: 1/4" = 1'0"



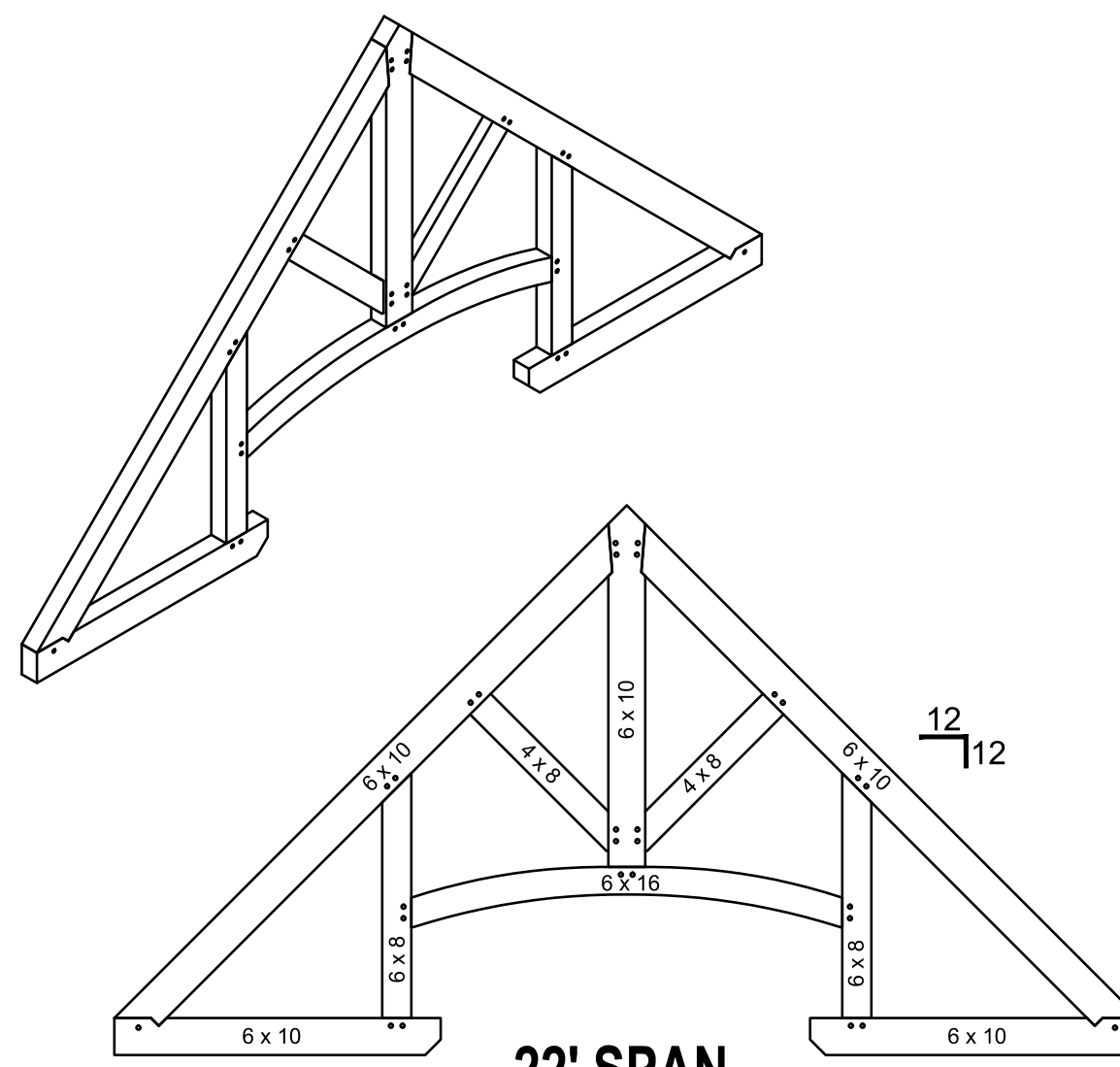
16' SPAN



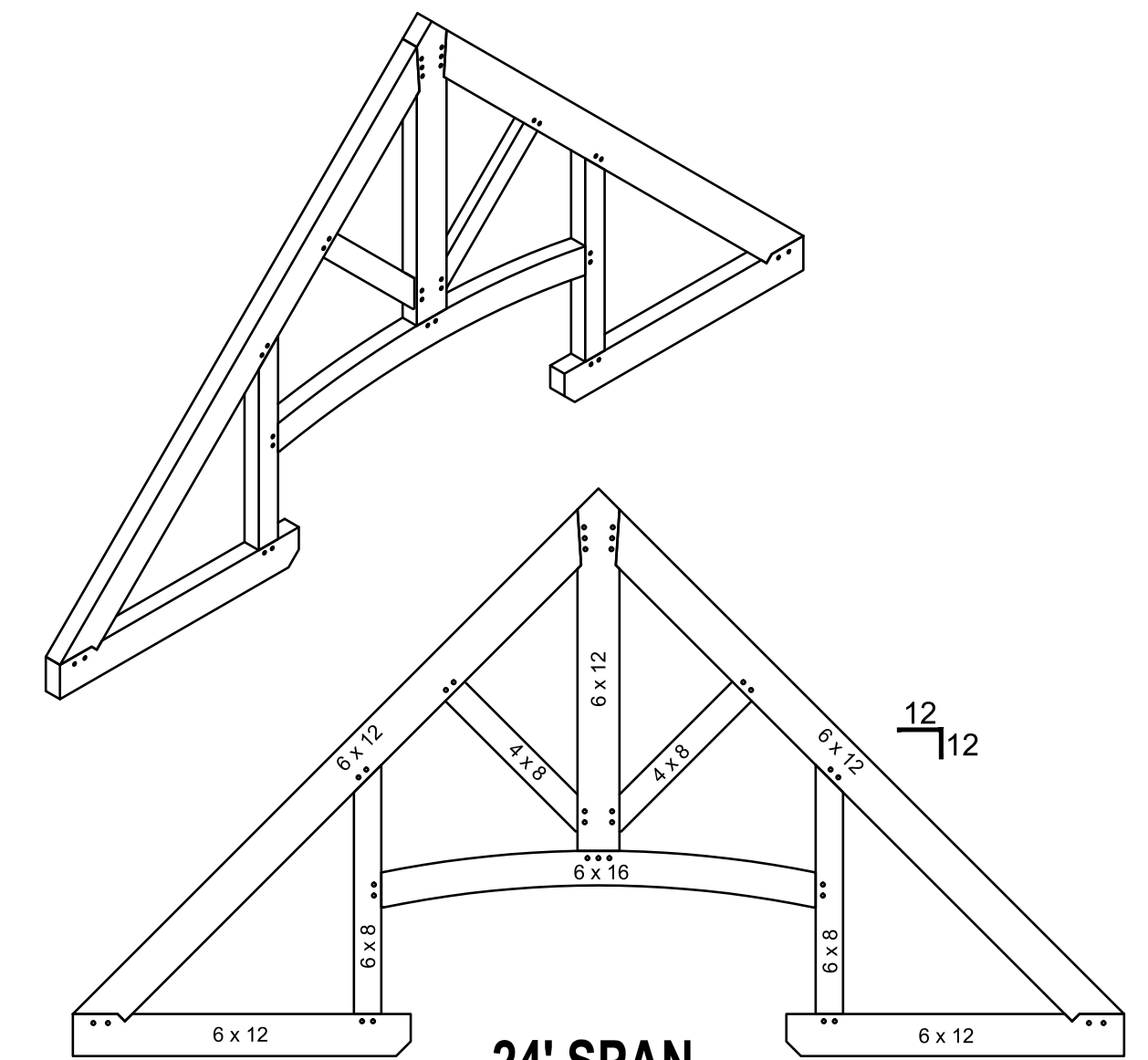
18' SPAN



20' SPAN



22' SPAN



24' SPAN

HAMMER BEAM TRUSS

SCALE: 1/4" = 1'0"



DREAMING CREEK
authentic architectural timbering
2487 Judes Ferry Rd
Powhatan, VA 23139
tel. 804.598.4328
fax. 804.598.3748
www.dreamingcreek.com

DREAMING CREEK TIMBER FRAME TRUSSES
6 & 8 TO 12 PITCH TRUSSES

ENGINEERING STAMP:

PROGRAM TRUSSES

DATE: 03/31/2010
DRAWN BY: KJK
CHECKED BY: AJS

SCALE: 1/4" = 1'0"

SHEET:
PT-2